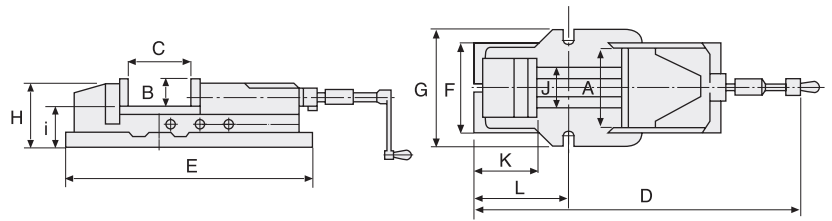




HYDRAULIC MACHINE VISE

Model: HH-100, 125, 150, 200

- Constructed with HYDRAULIC CYLINDER, which absorbs cutting vibration and improves the precision of machining whilst maintaining a high clamping force.
- The clamping force can be adjusted accurately by use of a DIAL.
- Vise Body is made of high tensile cast iron. The Sideways are hardened and ground to ensure rigidity, durability and minimal deformation.
- The vise Jaws are made of a special hardened ALLOY STEEL and are precision ground.



SPECIFICATIONS

Unit: mm

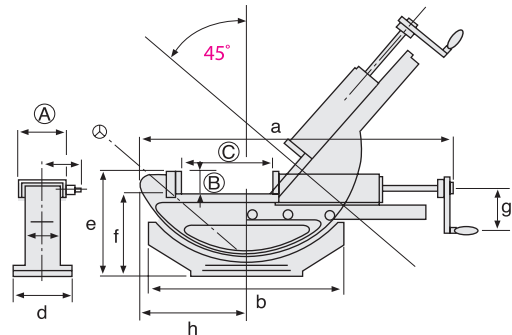
Model	A	B	C	D	E	F	G	H	I	J	K	L	Clamping force	Weight(kg) Body	Weight (kg) Swivel Base
HH-100	105	36	170	525	440	135	170	95	58	80	110	147	2500	21	7
HH-125	130	48	220	670	550	175	207	120	70.5	97	125	195	3000	38	8
HH-150	150	53	300	800	620	182	225	135	82.5	116	130	210	4500	53	11
HH-200	200	62	300	900	680	260	280	162	100	160	159	260	8000	95	13



TILTING HYDRAULIC MACHINE VISE

Model: HW-100, 150

- Constructed with the same specifications as the HH-Type above.
- Having the added tilting function it is particularly well suited to many jig and fixture making applications as well as being more versatile for general machining work.



SPECIFICATIONS

Unit: mm

Model	A	B	C	a	b	d	e	f	g	h	Clamping Force(kg)	Weight(kg) Body	Weight (kg) Swivel Base
HW-100	105	36	170	547	340	165	191	155	80	170	2500	26	7
HW-150	150	53	300	790	435	225	250	197	100	200	4500	70	11